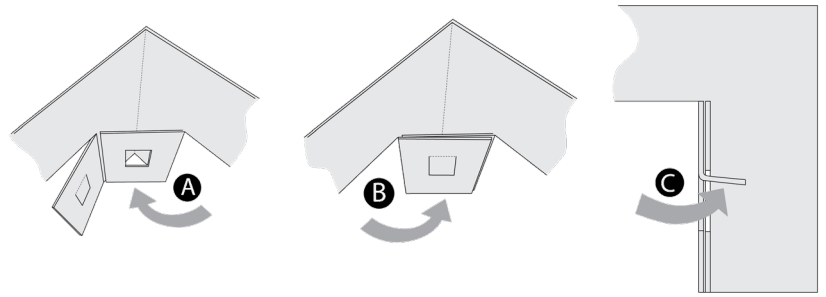
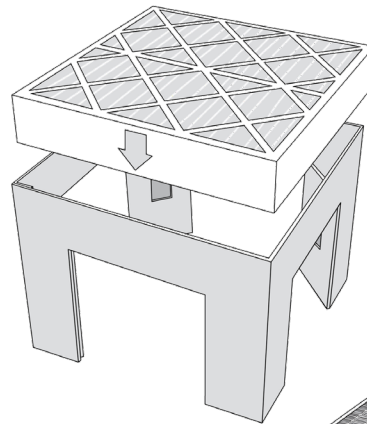


# HOW TO ASSEMBLE A COVID-19 AIR FILTRATION BOX FAN

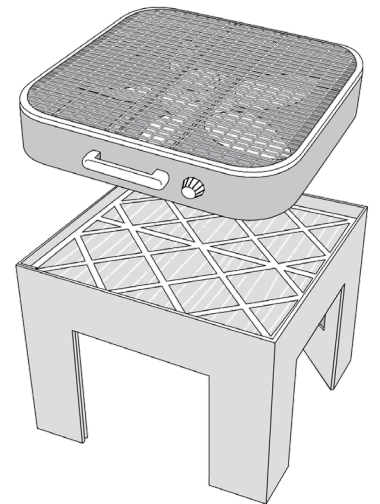
**Step 1:** Using the easy-to-assemble die-cut base, follow the directions from A to C to construct the base



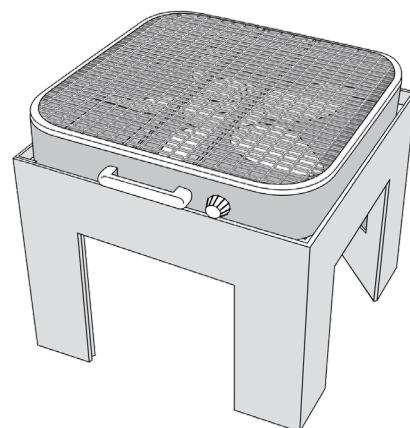
**Step 2:** Insert a 20x20x4 air filter with a standard minimum efficiency reporting value of 13 face down into the platform.



**Step 3:** Insert a 20-inch box fan face down on top of filter. The air flow should be moving toward the feet of the base.



**Step 4:** Place COVID-19 air filtration box fan system in the center of the room and a few feet away from walls. It is best to place near an existing HVAC return.



**Step 5:** Turn the fan on high for maximum filtration. This discharges the clean air downward as it pulls in unfiltered air from above.